

Programmable Crystal Oscillator



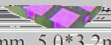
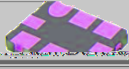
YS0692PR

Low Jitter



Applications

Features



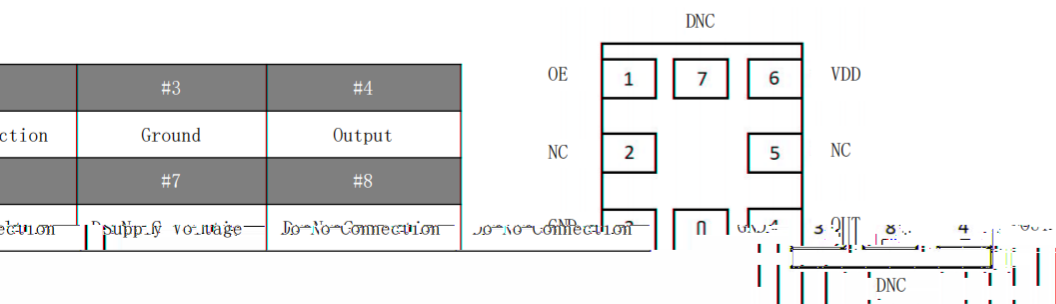
规格参数

CMOS	
Frequency Range	150MHz, 250MHz, 250MHz
Supply Voltage (VDD)	1.8V, 2.5V, 3.3V
Frequency Tolerance	±20ppm, ±50ppm, ±100ppm, or specify
Operating Temperature Range	-40~+85°C or specify
Storage Temperature Range	-55~+150°C
Output Voltage	VOH = 90%VDD / VOL = 10%VDD
Rise Time / Fall Time	2.0nsec (MAX)
Duty Cycle	45~55%
Start-up Time	200µsec (Typ)
Current Consumption (VDD = +3.3V)	75mA (Typ); 90mA (Max)
Disable Current	62mA (Typ)
Enable / Disable Function on Pad1	80%
Enable / Disable Time	20%
Frequency Aging (at 25°C)	老化率

Specifications (英)

Item / Type	Value
Frequency Range	150MHz, 250MHz, 250MHz
Supply Voltage	1.8V, 2.5V, 3.3V
Frequency Tolerance	±20ppm, ±50ppm, ±100ppm, or specify
Output Load	2.0nsec (MAX)
Duty Cycle	45~55%
Start-up Time	200µsec (Typ)
Current Consumption (VDD = +3.3V)	75mA (Typ); 90mA (Max)
Disable Current	62mA (Typ)
Enable / Disable Function on Pad1	80%
Enable / Disable Time	20%
Frequency Aging (at 25°C)	老化率

Pin Assignments



Pin Dimension (脚位尺寸)

Pin	#1	#2
FUNCTION	Output Enable	No Connection
Pin	#5	#6
FUNCTION	Output Enable	No Connection

Programmable
Crystal Oscillator

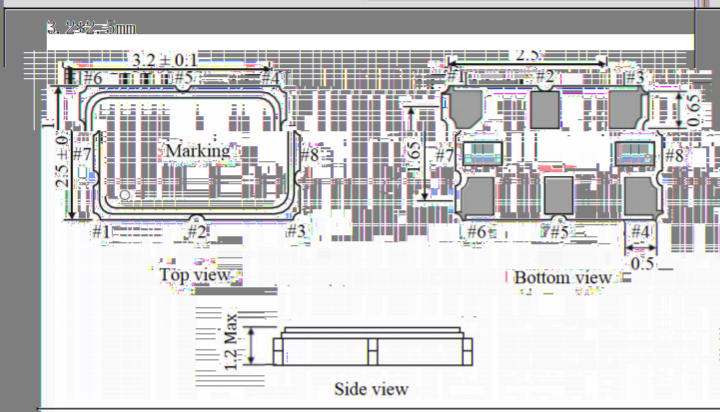


YSO692PR Low Jitter

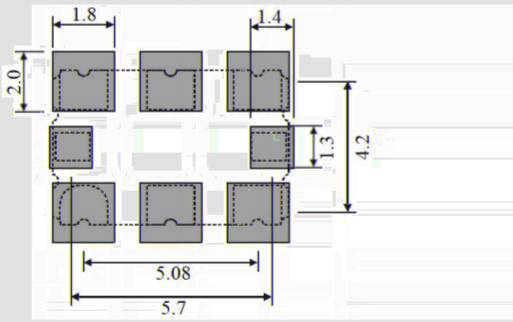
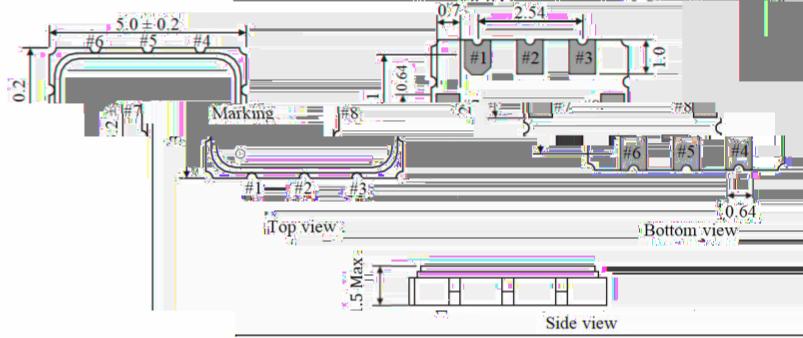
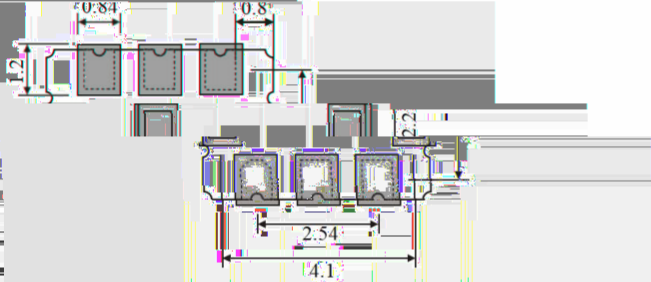


Dimensions and Recommended Land Pattern (Unit: mm)

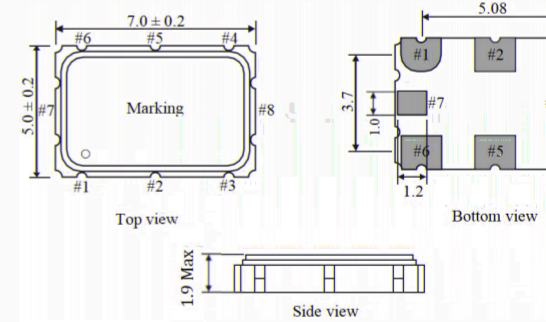
Recommended Land Pattern (Unit: mm)



5.0*3.2mm



7.0*5.0mm



Programmable Crystal Oscillator



YS0002FR Low Jitter



OSCILLATOR (振荡电路)

CMOS

